

**PRODUCT CODE: THB150**  
TOP HAT BRACKET



**DESCRIPTION**

150mm Top Hat Bracket

**FINISH**

Steel

**MATERIAL**

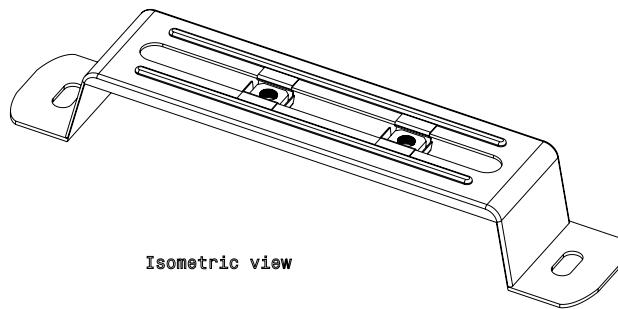
BZP

**PACKAGING**

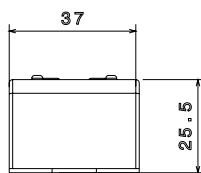
Packed in qty 50

**ADDITIONAL NOTES**

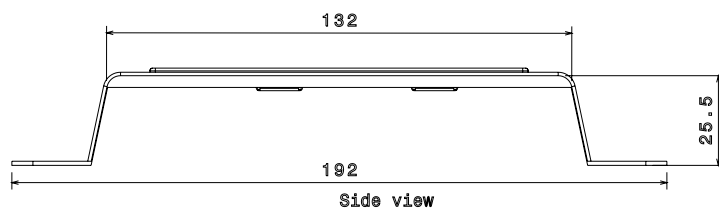
Comprises; 1 x slot and 2 x M6 captive nut  
Compliant to LU Standard 1-085 (for use on surface & sub-surface locations)



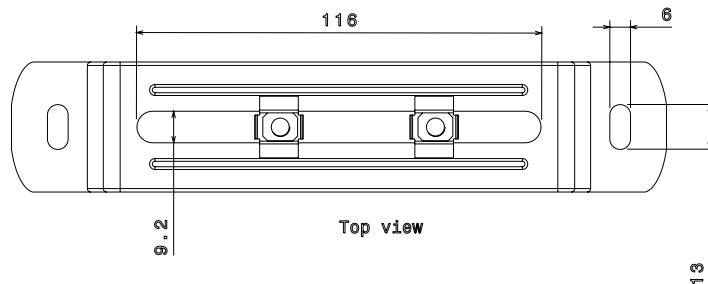
Isometric view



Front view



Side view



Top view